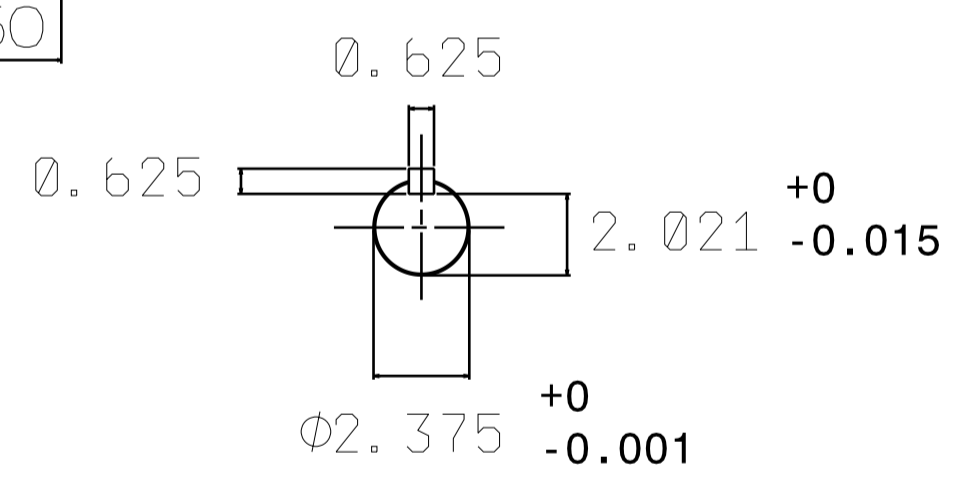
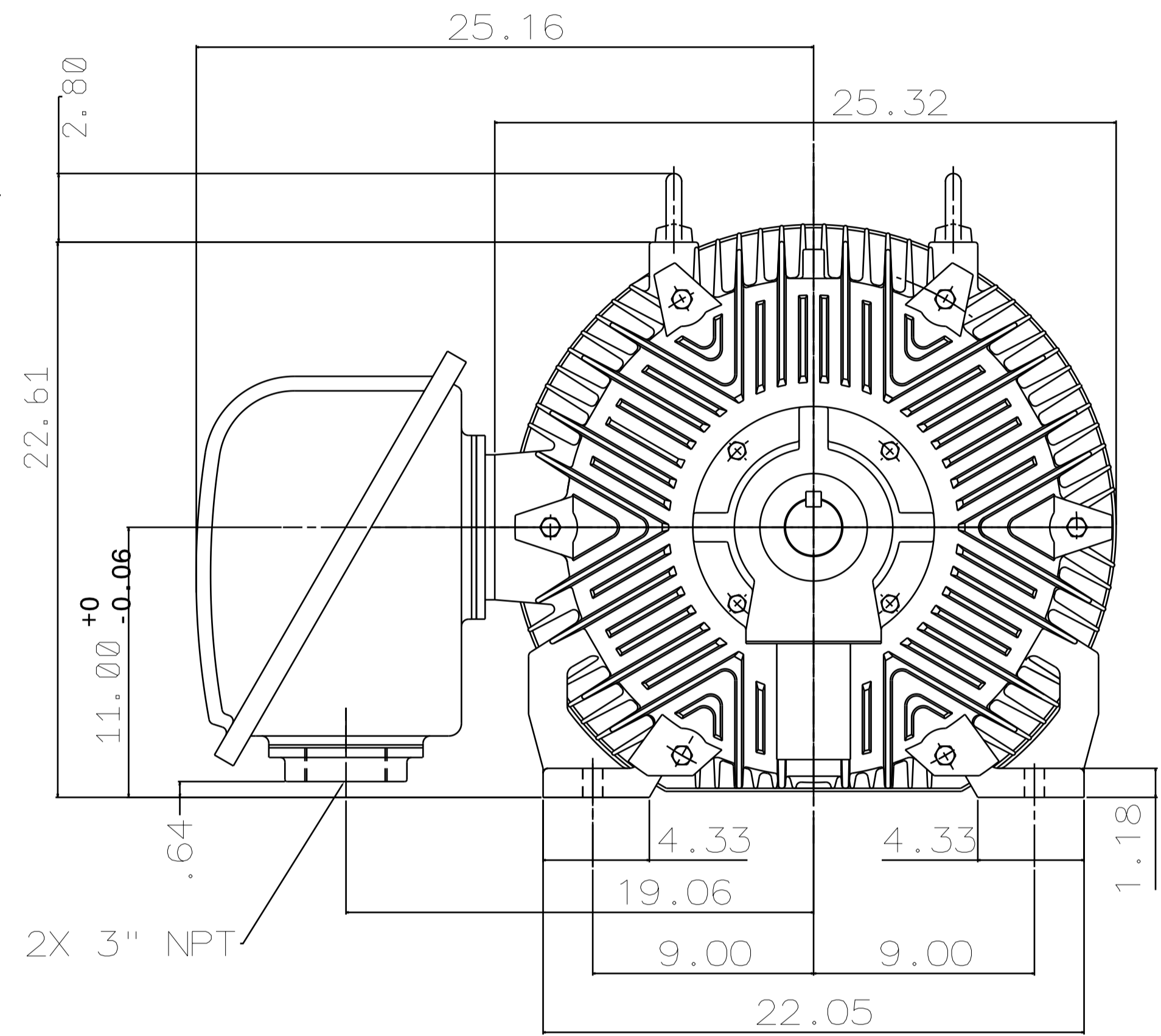
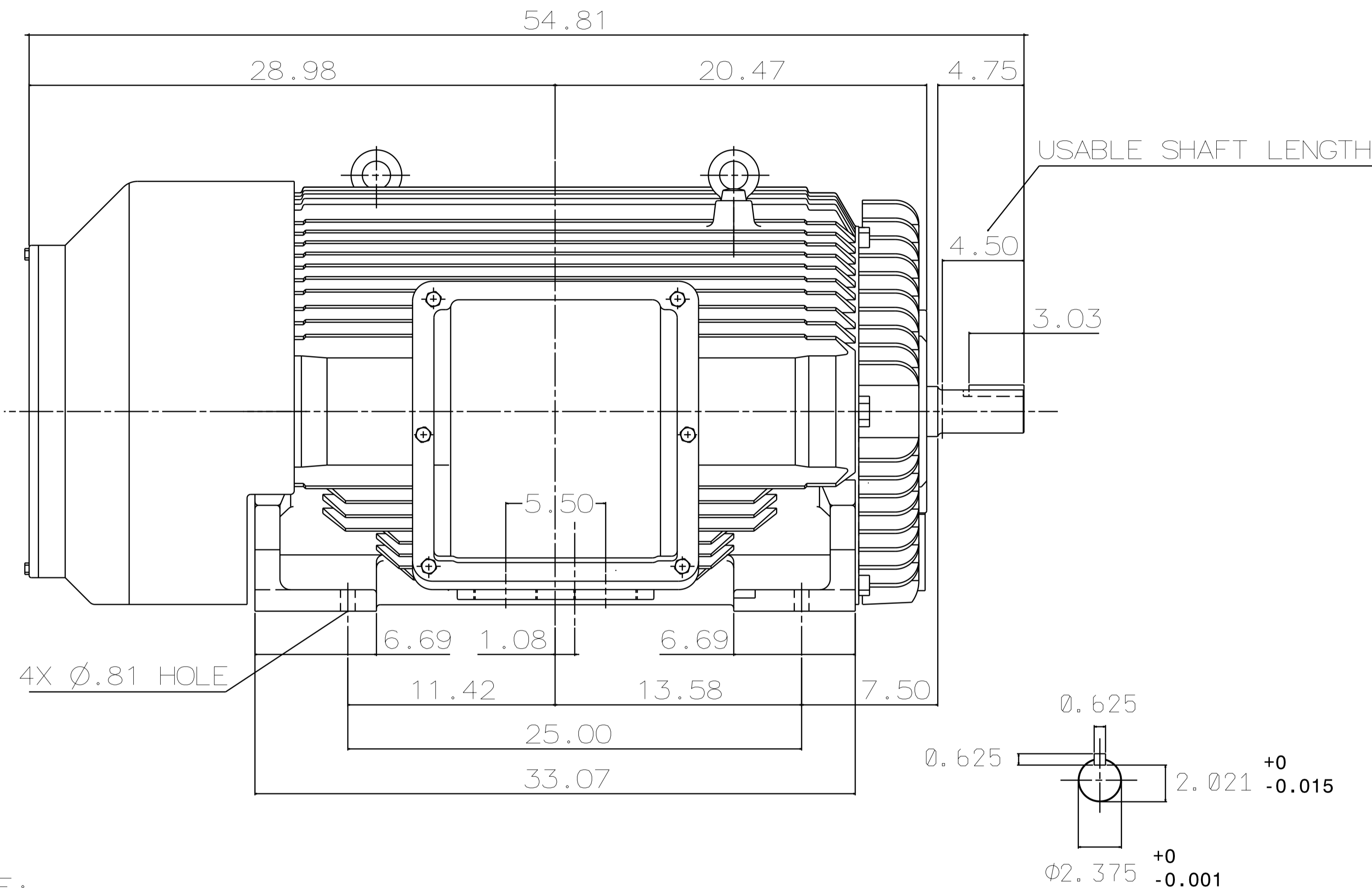


TYPE	OUTPUT		POLE	TIME RATING	VOLTAGE V	Hz	SYN. SPEED R.P.M
	HP	KW					
AEHH8B	350	261	2	CONT.	460	60	3600

TOTALLY ENCLOSED FAN-COOLED TYPE. SQUIRREL-CAGE ROTOR



- NOTE:
1. DIMENSIONS IN INCH.
 2. FRAME NO. 449TS
 3. F CLASS INSULATION, S.F.1.15
 4. FOR DIRECT FLEXIBLE COUPLING.
 5. BEARING SIZE: DRIVE END: 6314C3
NON-DRIVE END: 6314C3
 6. MOTOR APPROX. WEIGHT: 3100 LBS
 7. ENCLOSURE: IP55
 8. INPRO SEAL ON BOTH ENDS.
 9. NON-SPARKING FAN.
 10. NOISE BELOW 83 DBA AT 1 METER AT NO LOAD.
 11. VIBRATION VERTICAL/HORIZONTAL BELOW 0.08 IN/SEC
AXIAL BELOW 0.06 IN/SEC.

DATE	12-12-17	OUTLINE DIMENSIONS
CATALOG NO.	HB3502	
TEC Westinghouse		DWG NO. 3A040W7980-1
REV: 02		

DWN.	W.CHENG	MAY.10.2004
CHKD.	H.HUANG	MAY.10.2004
APPD.	C.WANG	MAY.10.2004

TW-56BC